

## EZXCAB

### EZ Flex™ Expandable Air Filter Cabinet



## Product Data



The EZ Flex™ Expandable Air Filter Cabinet sets the precedent in the air filtration industry. Coupling easy, time saving assembly and flexible design, the EZ Flex is the answer for any contractor who wants to save both time and money.

### FEATURES/BENEFITS

#### Quick Installation

- The cabinet comes pre-assembled and mounts easily to the equipment using just four screws, saving time and effort on the job site.

#### Optimized Fit and Space Saving Design

- The slim cabinet is only 6.5" wide, maximizing space without compromising performance.
- Designed to fit all factory equipment, nominal filter sizes:
  - Furnaces — 16 x 25; 20 x 25; and 24 x 25
  - Air Handlers — 12 x 20; 16 x 20; 20 x 20; and 23 x 20

#### Filter Options Included

- Available in MERV 8, MERV 11, and MERV 13 to meet homeowner needs and/or building codes and standards.

#### Cleaner Air, Healthier Home

- The high-performance filter captures dust and debris, helping protect your HVAC system and improving indoor air quality (IAQ) whenever your system is running.

#### Improved Efficiency & System Protection

- Unlike standard box filters, this cabinet uses a lower pressure drop design that helps your HVAC system run more efficiently. It also reduces the risk of coil freeze-ups, especially important during warmer months. The cabinet is also insulated to help maintain thermal comfort of the conditioned space and reduce condensation.

#### Easy Filter Changes

- Filter installs to filter cabinet by positioning four corners of the expandable filter and locking in place with little effort and no tools required.
- Removing the filter is just as easy and pulls out with the cabinet door so that the filter can easily be disengaged and dropped into a trash bin.
- Disposal of the filter is a breeze. Since it is expandable, it can be compressed easily for waste management.

#### Built to Last

- Durable steel construction with a corrosion-resistant finish ensures long-term reliability in any installation.

#### Fits Your Life

- Whether you have pets, dust allergies, or just want cleaner air, this cabinet is the perfect fit for your home and your HVAC system.

### MODEL NUMBER NOMENCLATURE

|   |   |   |                                   |   |   |   |   |   |    |    |    |
|---|---|---|-----------------------------------|---|---|---|---|---|----|----|----|
| 1   | 2 | 3 | 4                                 | 5 | 6 | 7   | 8 | 9   | 10 | 11 | 12 |
| E   | Z | X | C                                 | A | B | X   | X | 0   | 8  | 1  | 6  |
| <b>Product Type</b><br>EZ Flex Media Filter |   |   | <b>Model Type</b><br>with cabinet |   |   | <b>Brand</b><br>XX = Carrier/Bryant<br>NB = ICP |   | <b>Size Designation</b><br>14; 16; 17; 20; 21; 24; 25 |    |    |    |
|   |   |   |                                   |   |   |   |   | <b>MERV Rating</b><br>08; 11; 13                      |    |    |    |

## DIMENSIONS

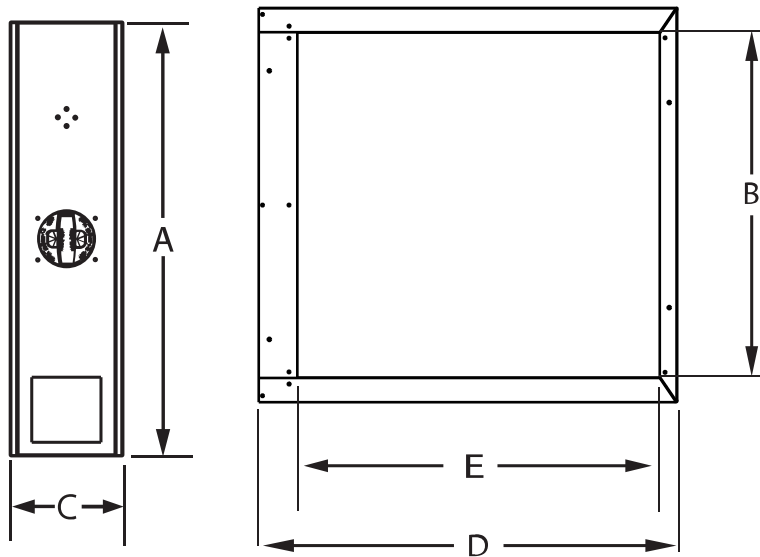


Table 1 – EZXCAB Dimensions

| MODEL EZXCAB | A                  | B                  | C               | D                 | E                  |
|--------------|--------------------|--------------------|-----------------|-------------------|--------------------|
| EZXCAB****14 | 14.175" (360 mm)   | 11.049" (280.6 mm) | 6.5" (165.1 mm) | 22.25" (565.2 mm) | 19.5" (495.3 mm)   |
| EZXCAB****16 | 17" (431.8 mm)     | 13.875" (352.4 mm) |                 | 26.5" (673.1 mm)  | 22.958" (583.1 mm) |
| EZXCAB****17 | 17.488" (444.2 mm) | 14.362" (364.8 mm) |                 | 22.25" (565.2 mm) | 19.5" (495.3 mm)   |
| EZXCAB****20 | 21" (533.4 mm)     | 17.875" (454 mm)   |                 | 26.5" (673.1 mm)  | 22.958" (583.1 mm) |
| EZXCAB****21 | 20.988" (533.1 mm) | 17.862" (453.7 mm) |                 | 22.25" (565.2 mm) | 19.5" (495.3 mm)   |
| EZXCAB****24 | 25" (635 mm)       | 21.875" (555.6 mm) |                 | 26.5" (673.1 mm)  | 22.958" (583.1 mm) |
| EZXCAB****25 | 24.488" (634.7 mm) | 21.362" (542.6 mm) |                 | 22.25" (565.2 mm) | 19.5" (495.3 mm)   |

## PHYSICAL DATA

| SIZE                     | 14          | 17       | 21      | 25        | 16        | 20        | 24        |
|--------------------------|-------------|----------|---------|-----------|-----------|-----------|-----------|
| Typical Application      | Air Handler |          |         |           | Furnace   |           |           |
| Power Consumption        | 0           |          |         |           |           |           |           |
| Filter Media             | Synthetic   |          |         |           |           |           |           |
| Shipping Weight, lb (kg) | 19 (8.6)    | 21 (9.5) | 22 (10) | 24 (10.9) | 23 (10.4) | 25 (11.3) | 27 (12.2) |

| MINIMUM FILTER EFFICIENCY* |                    |                    |                     |      |               |
|----------------------------|--------------------|--------------------|---------------------|------|---------------|
|                            | E1 (0.3 to 1.0 µm) | E2 (1.0 to 3.0 µm) | E3 (3.0 to 10.0 µm) | MERV | Rated Airflow |
| EZXCAB**08** All Sizes     | —                  | ≥20%               | ≥70%                | 8    | 492 FPM       |
| EZXCAB**10** All Sizes     | ≥20%               | ≥65%               | ≥85%                | 10   |               |
| EZXCAB**13** All Sizes     | ≥50%               | ≥85%               | ≥90%                | 13   |               |

\*. Minimum Efficiency Reporting Value (MERV) is specified by ASHRAE Standard 52.2. It is based on lab tests to determine the filter's ability to trap inert particles. MERVs for residential filters will typically be in the range of MERV 1-10. The higher the value, the more efficient the filter. (Human hair is approximately 50-100 microns in diameter.) Tested according to ASHRAE 52.2 2017 on \*25 size.

## Pressure Drop by MERV Rating

| Airflow Range (CFM) | Filter Resistance to Airflow (in. w.c) by MERV Designation – 08 / 11 / 13 |                    |                    |                    |                    |                    |                    |
|---------------------|---|--------------------|--------------------|--------------------|--------------------|--------------------|--------------------|
|                     | 14  | 17                 | 21                 | 25                 | 16                 | 20                 | 24                 |
| 600                 | 0.08 / 0.13 / 0.13  | 0.05 / 0.08 / 0.09 | 0.04 / 0.07 / 0.07 | 0.03 / 0.06 / 0.06 | 0.04 / 0.06 / 0.07 | 0.03 / 0.05 / 0.05 | 0.02 / 0.04 / 0.04 |
| 800                 | 0.13 / 0.21 / 0.19  | 0.08 / 0.13 / 0.13 | 0.06 / 0.10 / 0.10 | 0.05 / 0.08 / 0.08 | 0.06 / 0.09 / 0.10 | 0.04 / 0.07 / 0.07 | 0.03 / 0.05 / 0.06 |
| 1000                | 0.19 / 0.31 / 0.28  | 0.11 / 0.19 / 0.18 | 0.09 / 0.14 / 0.14 | 0.07 / 0.11 / 0.11 | 0.08 / 0.13 / 0.13 | 0.05 / 0.09 / 0.09 | 0.04 / 0.07 / 0.07 |
| 1200                | —   | 0.15 / 0.25 / 0.24 | 0.12 / 0.19 / 0.18 | 0.09 / 0.14 / 0.14 | 0.11 / 0.17 / 0.17 | 0.08 / 0.12 / 0.12 | 0.06 / 0.09 / 0.10 |
| 1400                | —   | 0.20 / 0.32 / 0.30 | 0.15 / 0.25 / 0.23 | 0.11 / 0.18 / 0.18 | 0.14 / 0.23 / 0.21 | 0.10 / 0.16 / 0.15 | 0.07 / 0.12 / 0.12 |
| 1600                | —   | —                  | 0.19 / 0.31 / 0.28 | 0.14 / 0.23 / 0.21 | 0.17 / 0.28 / 0.26 | 0.13 / 0.20 / 0.18 | 0.09 / 0.15 / 0.14 |
| 1800                | —   | —                  | —                  | 0.17 / 0.28 / 0.26 | 0.22 / 0.34 / 0.31 | 0.15 / 0.24 / 0.22 | 0.11 / 0.18 / 0.17 |
| 2000                | —   | —                  | —                  | 0.20 / 0.33 / 0.30 | —                  | 0.18 / 0.29 / 0.26 | 0.13 / 0.21 / 0.20 |
| 2200                | —   | —                  | —                  | —                  | —                  | 0.21 / 0.33 / 0.30 | 0.15 / 0.25 / 0.23 |

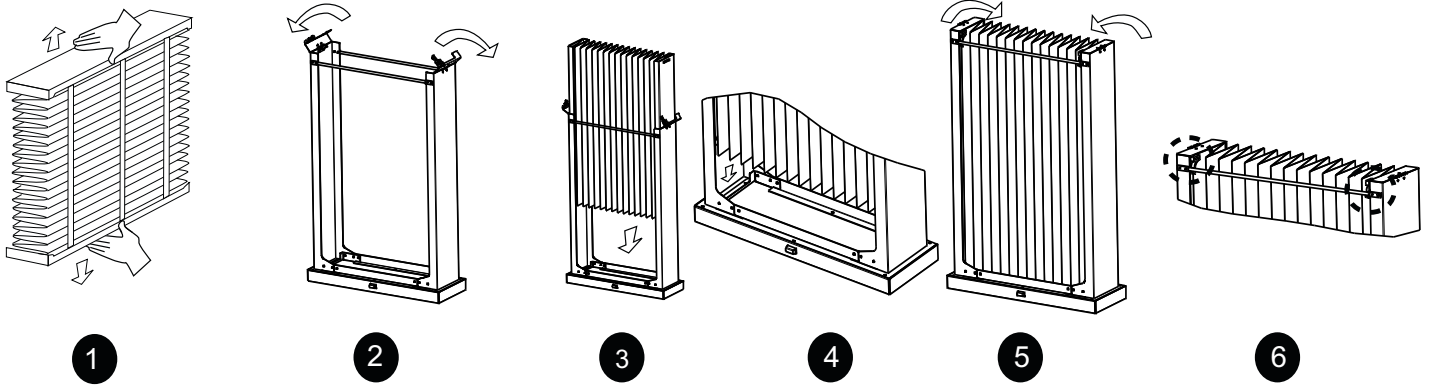
NOTE: Pressure drop data derived from test data with best fit curve. In-situ results may vary.

NOTE: When applying the EZ Flex, attention must be given to the duct and system design because all these components affect system static pressure.

## Replacement Filters

| PART NUMBER  | MERV | Filter Size | Application |
|--------------|------|-------------|-------------|
| EXPXXFIL0814 | 8    | 12x20       | Air Handler |
| EXPXXFIL1114 | 11   | 12x20       | Air Handler |
| EXPXXFIL1314 | 13   | 12x20       | Air Handler |
| EXPXXFIL0817 | 8    | 16x20       | Air Handler |
| EXPXXFIL1117 | 11   | 16x20       | Air Handler |
| EXPXXFIL1317 | 13   | 16x20       | Air Handler |
| EXPXXFIL0821 | 8    | 20x20       | Air Handler |
| EXPXXFIL1121 | 11   | 20x20       | Air Handler |
| EXPXXFIL1321 | 13   | 20x20       | Air Handler |
| EXPXXFIL0825 | 8    | 24x20       | Air Handler |
| EXPXXFIL1125 | 11   | 24x20       | Air Handler |
| EXPXXFIL1325 | 13   | 24x20       | Air Handler |
| EXPXXFIL0816 | 8    | 16x25       | Furnace     |
| EXPXXFIL1116 | 11   | 16x25       | Furnace     |
| EXPXXFIL1316 | 13   | 16x25       | Furnace     |
| EXPXXFIL0820 | 8    | 20x25       | Furnace     |
| EXPXXFIL1120 | 11   | 20x25       | Furnace     |
| EXPXXFIL1320 | 13   | 20x25       | Furnace     |
| EXPXXFIL0824 | 8    | 24x25       | Furnace     |
| EXPXXFIL1124 | 11   | 24x25       | Furnace     |
| EXPXXFIL1324 | 13   | 24x25       | Furnace     |

### Assembly



A01397A

### Configurations

